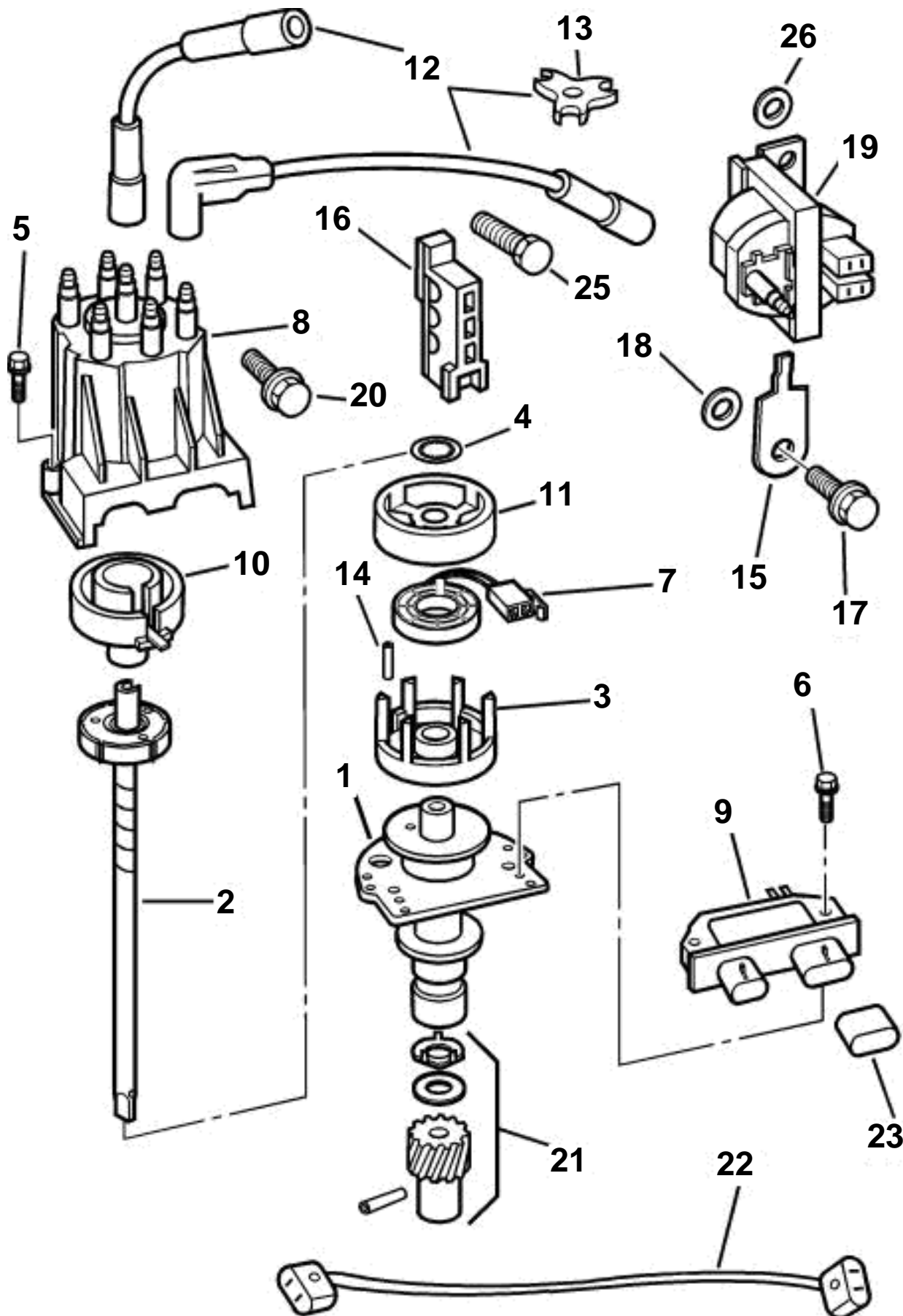


DISTRIBUTOR & IGNITION COIL



DISTRIBUTOR & IGNITION COIL

| REF | PART NO. | QTY | DESCRIPTION | NOTES |
|-----|----------|-----|--|-----------------|
| 1 | 3854310 | 1 | Housing, Distributor | |
| 2 | 3854312 | 1 | Shaft, Distributor | |
| 3 | 3854309 | 1 | Pole shoe | |
| 4 | 3853317 | 1 | Retainer | |
| 5 | 3853318 | 2 | Screw | |
| 6 | 3853319 | 2 | Screw, Module | |
| 7 | 3854001 | | Coil | As required |
| 8 | 3854331 | 1 | Distributor cap | |
| 9 | 3854003 | 1 | Module | |
| 10 | 3854311 | 1 | Rotor, Distributor | |
| 11 | 3854308 | 1 | Shield, Pickup coil | |
| 12 | 3857165 | 1 | Ignition cable kit | |
| 13 | 3852492 | 4 | Retainer, 3 wire ignition leads | |
| | 3852491 | 2 | Retainer, 4 wire ignition leads | |
| 14 | 3853316 | 1 | Locating pin, Locating | |
| 15 | 3856052 | 2 | Bracket, Lead retainer, 90° | Rear |
| | 3856053 | 2 | Bracket, Lead retainer to exhaust manifold | Rear |
| 16 | 3852619 | 2 | Retainer, Spark plug leads to cylinder head | Rear |
| 17 | 3853557 | 1 | Screw, Retainer, spark plug lead to cyl head | |
| 18 | 3852162 | 1 | Washer, Spark plug lead to cylinder head | Rear, starboard |
| 19 | 3854922 | 1 | Ignition coil | |
| 20 | 3853266 | 2 | Screw, Coil bracket | |
| 21 | 3854557 | 1 | Repair kit, Distributor gear | |
| | | 1 | · WASHER | |
| | | 1 | · TANG WASHER | |
| | | 1 | · PIN | |
| | | 1 | · GEAR, Distributor | |
| 22 | 3854084 | 1 | Cable, Distributor to ignition coil | Gi |
| 23 | 3850645 | 1 | Cap | GL/GS |
| 25 | 3853266 | 2 | Screw, Coil bracket assy & lift eye to head | |
| 26 | 3852162 | 1 | Washer, Spacer, coil bracket to head | |